



# Custom & Designer Built-In Electric 27"/30"/36"W. Warming Drawer

★ Please see Installation Notes and Accessories for important information, including handle kits and pan/lid set.

## Dimensions & Specifications

### PRODUCT DIMENSIONS & DOOR SWING



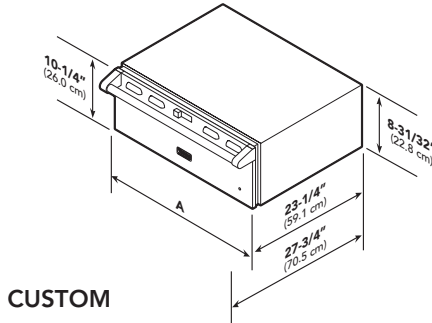
**VEWD527/530/536**  
Custom Warming Drawer



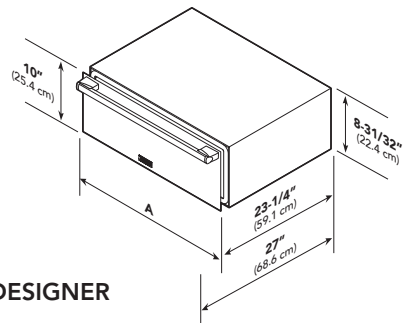
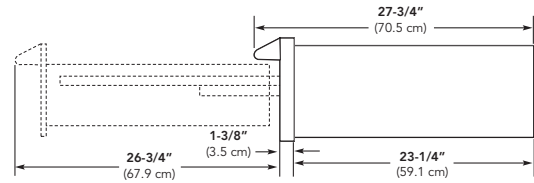
**DEWD102**  
Designer Warming Drawer



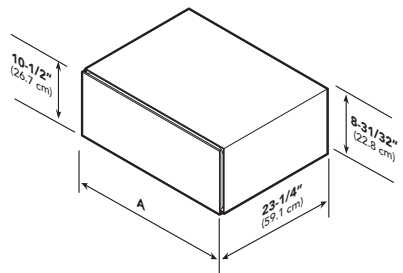
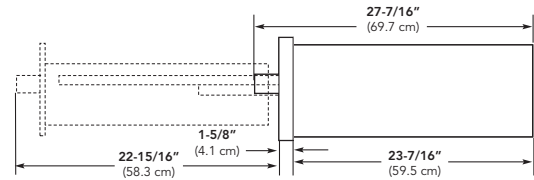
**DFWD171/101**  
Custom Panel Warming Drawer



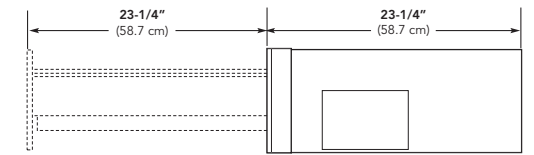
**CUSTOM**



**DESIGNER**



**CUSTOM PANEL**



|                              | <b>VEWD527/530/536</b>                                     | <b>DEWD102</b>           | <b>DFWD171/101</b>                      |
|------------------------------|--|--------------------------|---|
| Overall width (A)            | 26-1/2" (67.3 cm)/29-1/2" (74.9 cm)/<br>35-3/8" (89.9 cm)  | 29-1/2" (74.9 cm)        | 26" (66.0 cm)/<br>29" (73.7 cm)         |
| Overall height (from bottom) | 10-1/4" (26.0 cm)  | 10" (25.4 cm)            | 10-1/2" (26.7 cm)                       |
| Overall depth (from rear)    |  |                          |   |
| To end of handle             | 27-3/4" (70.5 cm)  | 27-7/16" (69.7 cm)       | N/A                                     |
| With drawer fully extended   | 51-3/8" (130.5 cm)   | 50-7/8" (129.2 cm)       | 46-1/2" (118.1 cm)                      |
| Interior width               | 17-1/4" (43.8 cm)/20-1/2" (52.1 cm)/<br>25" (63.5 cm)      | 20-1/2" (52.1 cm)        | 17-1/4" (43.8 cm)/<br>20-1/2" (52.1 cm) |
| Interior height              |  | <b>6" (15.2 cm)</b>      |   |
| Interior depth               |  | <b>22-3/4" (27.8 cm)</b> |   |
| Approx. ship weight          | 80 lbs. (36.0 kg)/90 lbs. (40.5 kg)/<br>110 lbs. (49.5 kg) | 90 lbs. (40.5 kg)        | 80 lbs. (36.0 kg)/<br>90 lbs. (40.5 kg) |



# Custom & Designer Built-In Electric 27"/30"/36"W. Warming Drawer

## UTILITY REQUIREMENTS


**GAS**

- Not applicable


**ELECTRICAL**

- Hardwire direct with separate 15-amp minimum 2-wire with ground circuit
- 120 VAC/50 – 60 Hz
- Maximum amp usage—
  - o 27"W. models—3.6 (425 watts)
  - o 30"W. models—3.8 (450 watts)
  - o 36"W. models—4.6 (550 watts)


**PLUMBING**

- Not applicable

## Installation Requirements

### ACCESS REQUIREMENTS



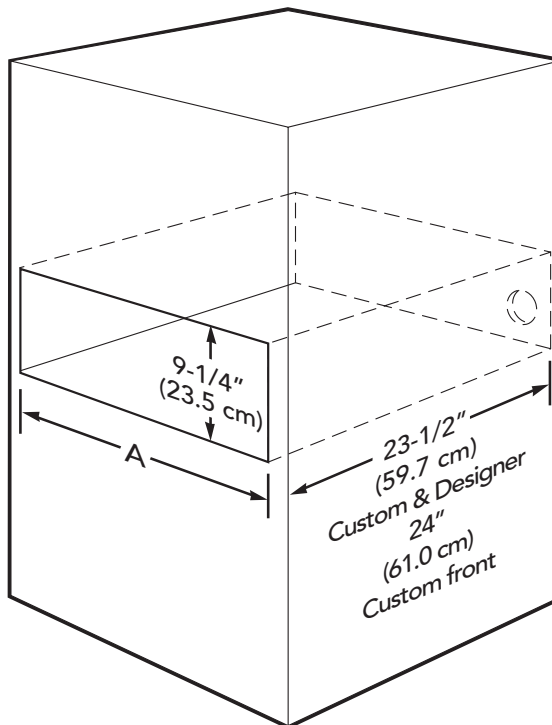
**VEWD527/530/536**  
Custom  
Warming Drawer



**DEWD102**  
Designer  
Warming Drawer



**DFWD171/101**  
Custom Panel  
Warming Drawer



|                  | <b>VEWD527/530/536</b>                                | <b>DEWD102</b>            | <b>DFWD171/101</b>                      |
|------------------|---|---------------------------|---|
| Cutout width (A) | 25-1/4" (64.1 cm)/28-1/4" (71.8 cm)/<br>34" (86.4 cm) | 28-1/4" (71.8 cm)         | 25-1/4" (64.1 cm)/<br>28-1/4" (71.8 cm) |
| Cutout height    | 9-1/4" (23.5 cm)                                      | 9-1/4" (23.5 cm)          | 9-5/8" (24.4 cm)                        |
| Cutout depth     |   | <b>23-1/2" (59.7 cm)*</b> |   |

\* Standard Mount - 23-1/2" (59.7 cm)  
Flush Mount - 25-1/8" (63.8 cm) Use trim piece included with product.